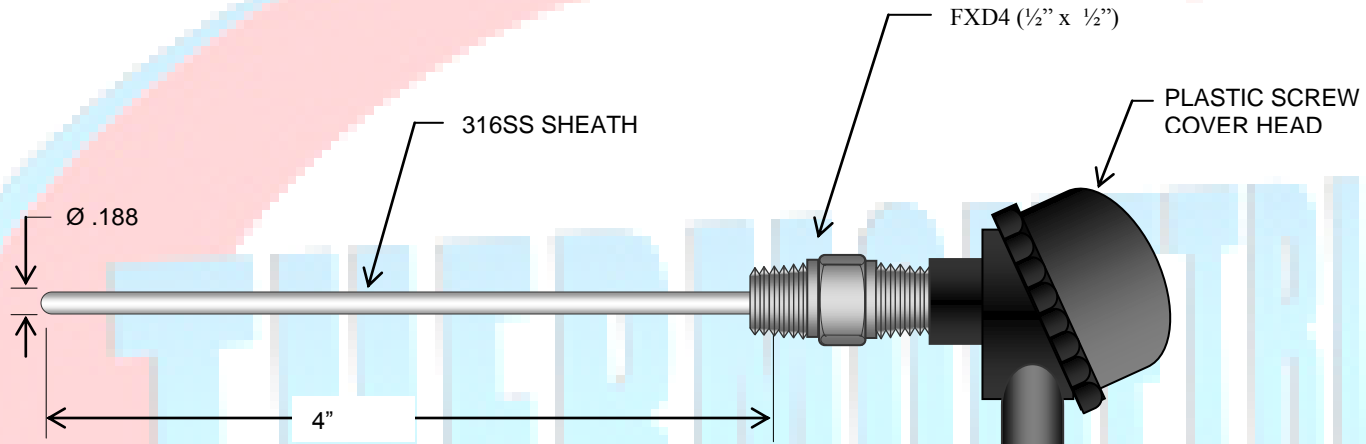


REVISION	CHANGE	DATE



Ref: _____

NOTES:

18714 PARTHENIA STREET - NORTHRIDGE - CALIFORNIA 91324 - USA
 PHONE: (818) 886-3755 - FAX: (818) 772-7690

PRODUCTION CODE:



PART NO. T020-00000003

OCR #

DESCRIPTION: TYPE-T SINGLE GROUNDED TC WITH ENCLOSURE

DATE:

REV: